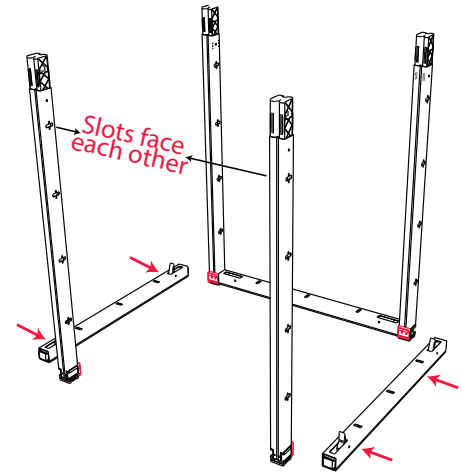
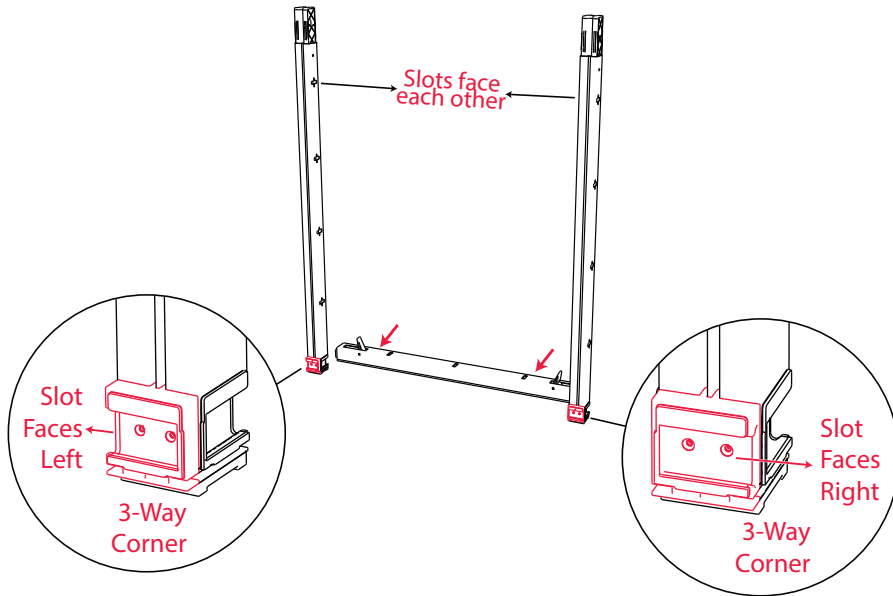
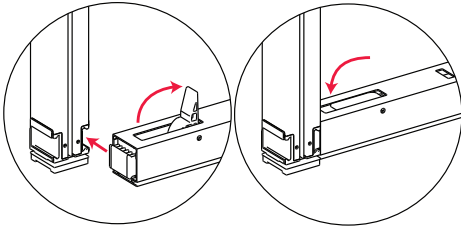
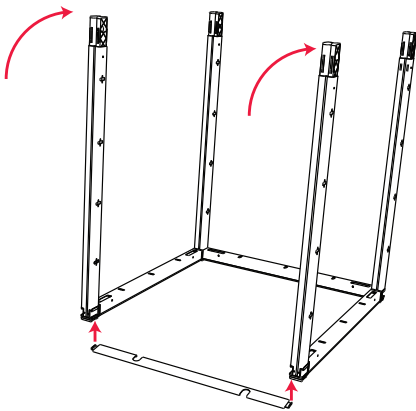


Room Assembly

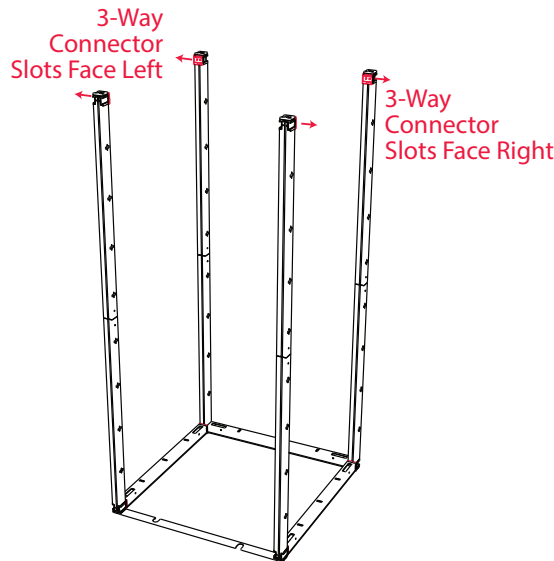


1. Locate two bottom vertical bars with 3-way corners. Attach a horizontal to the bottom between the verticals. Note the direction of the 3-way connectors noted above.

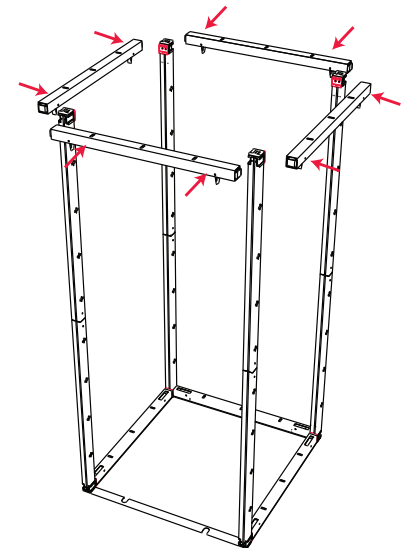
2. Attach two more horizontal bars and two more bottom horizontals with 3-way connectors. The levers should be on top of the horizontal bars.



3. Tilt the assembly back and attach the threshold to the bottom of the doorway opening.



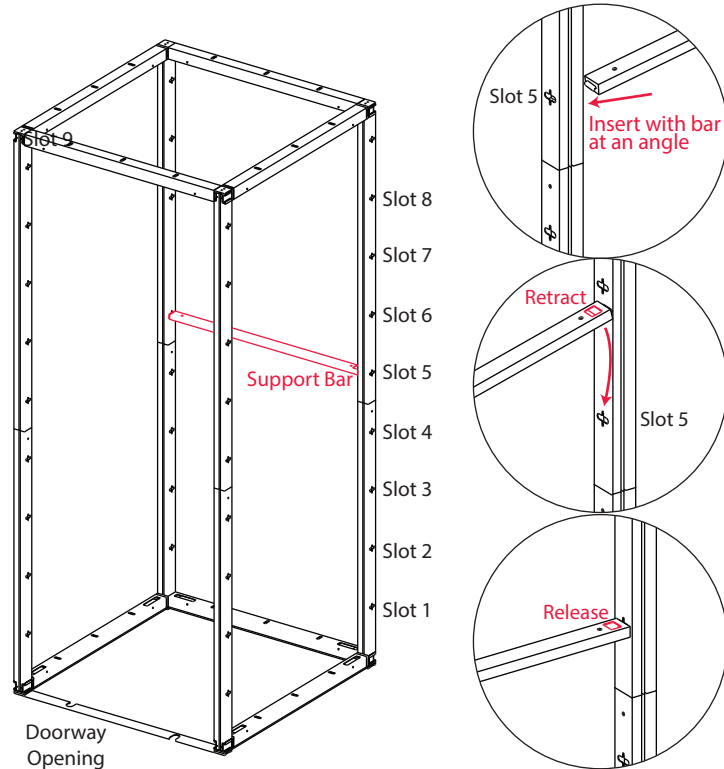
4. Add four upper verticals as seen above noting the 3-way slot directions.



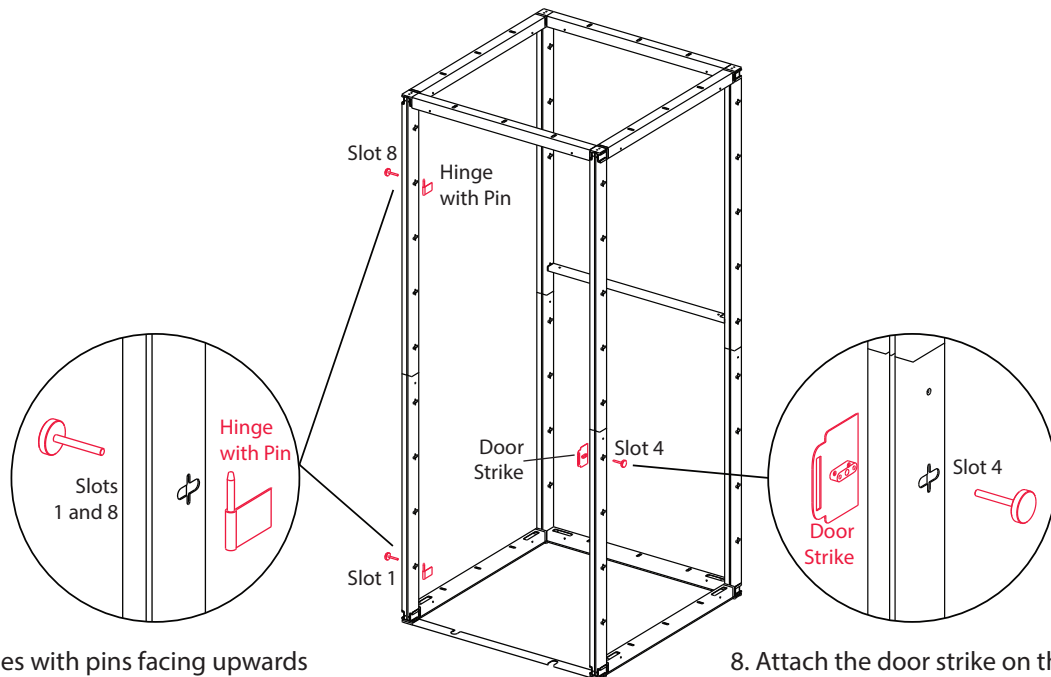
5. Complete the upper half of the storage room by attaching 4 horizontal bars. The levers should be on the bottom of the horizontal bars.

Storage Room Assembly Instructions

Room Assembly Continued



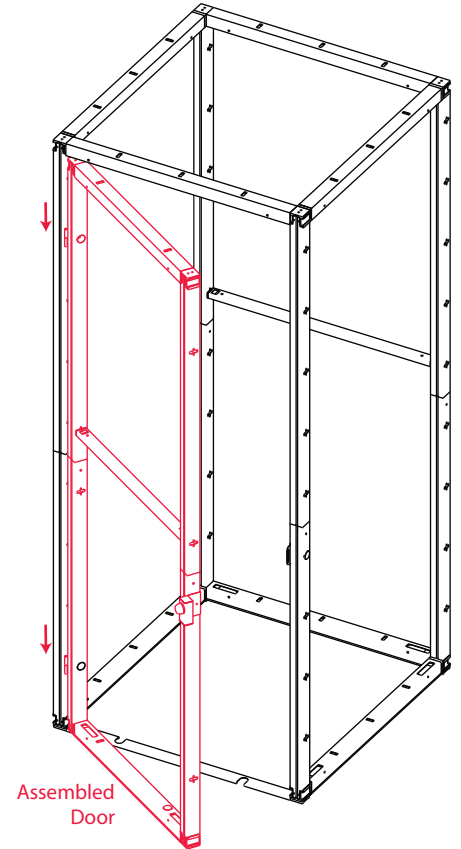
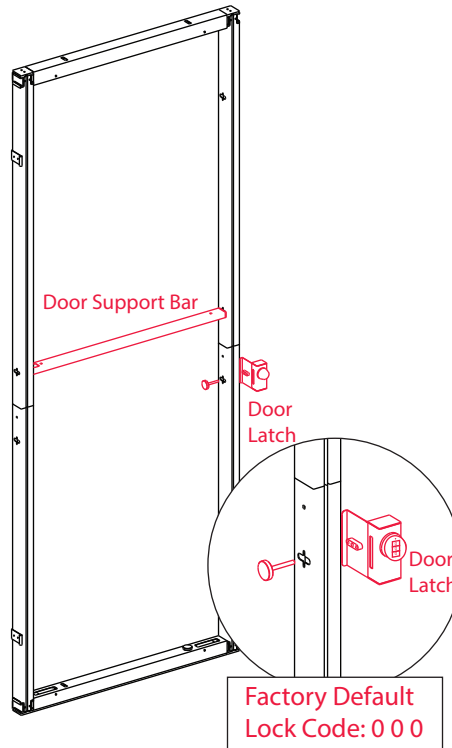
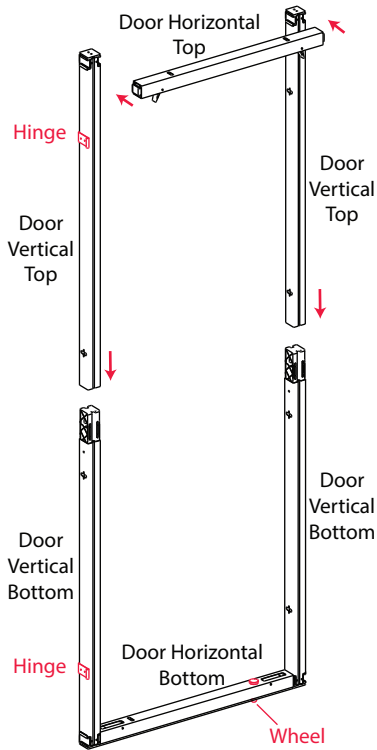
6. Attach a spring-loaded support bar to the wall opposite the doorway in slot 5.



7. Attach the hinges with pins facing upwards on the left side of the doorway in slots 1 and 8 using low-profile screws.

8. Attach the door strike on the right side of the doorway in slot 4 using a low-profile screw.

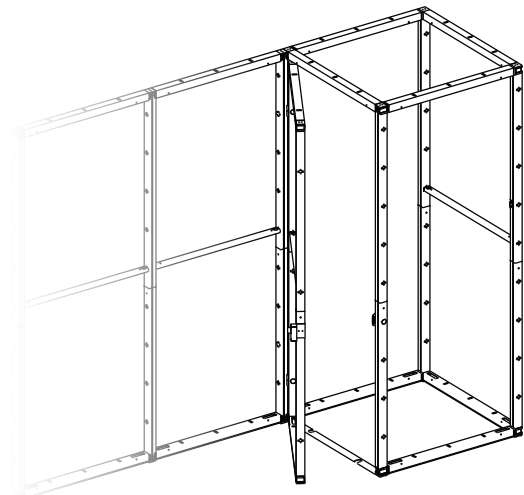
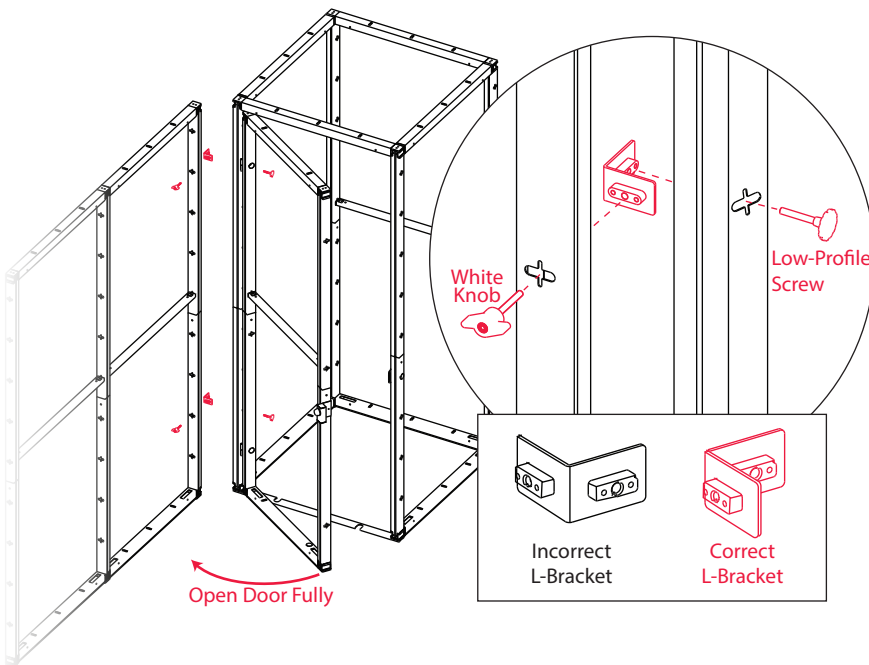
Door Assembly



9. Assemble the door perimeter as seen above making sure that the wheel is oriented away from the side with hinges.

10. Attach the door support bar in the slot above the seam in the vertical bars.
11. Attach the door catch in the slot below.

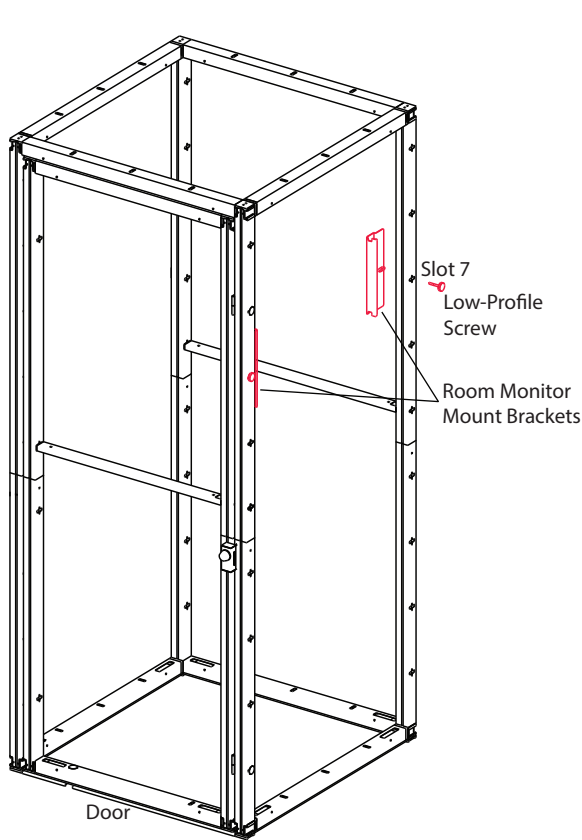
12. Hang the door on the hinges. It is easiest to slide door on hinges when you position door vertical parallel to the storage vertical.



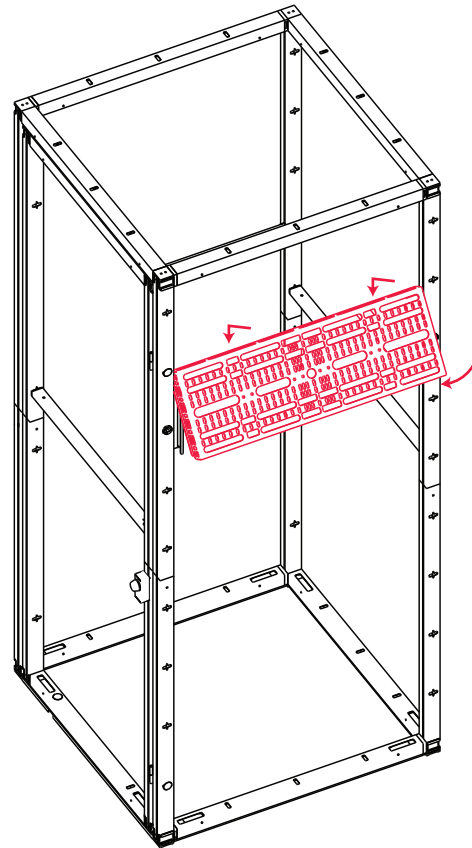
13. To build a wall connected to the room, use two special L-Brackets with opposite connection orientation. Attach each connector to the storage room using a low profile screw and connect to the wall using a white knob as shown to show above.

14. Install fabric graphics per your kit design.

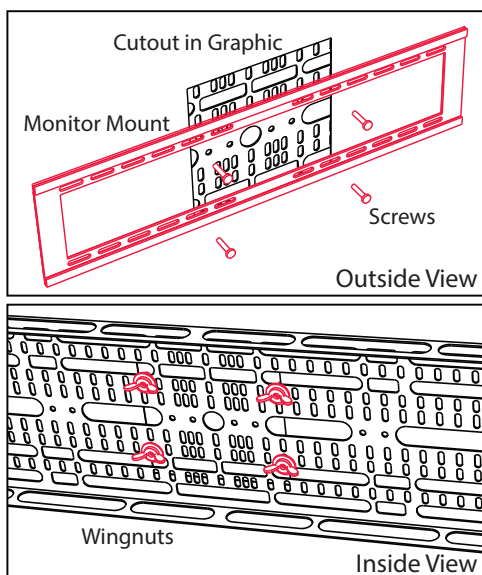
Optional Monitor Bracket on Front of Closet



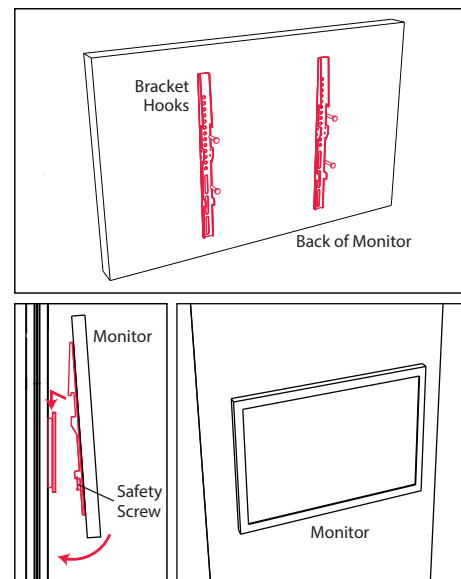
1. Attach two room monitor mount brackets with low-profile screws in slot 7.



2. Hang the monitor bracket plate onto the brackets.



3. Install the fabric graphic with monitor mount cutout aligned over the monitor mount plate. See graphic installation instructions for details.
4. Attach the monitor mount onto the plate with screws. Secure with wingnuts on the back of the plate



5. Attach the monitor mount hook bars onto the back of the monitor.
6. Hang the monitor hooks onto the monitor mount. This may require two people. Secure the safety screws on the hook bars.