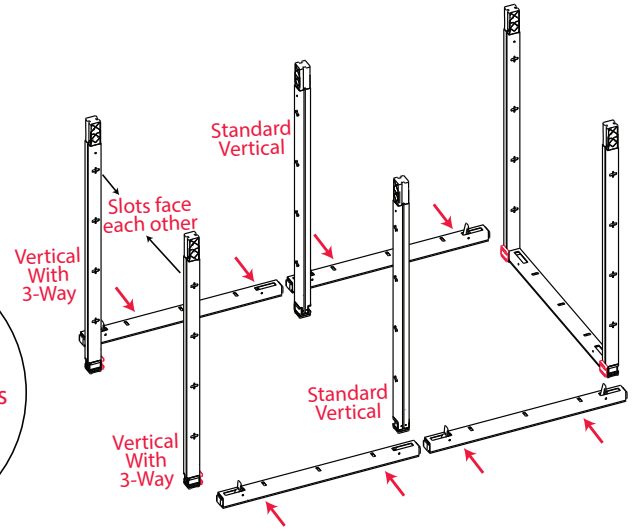
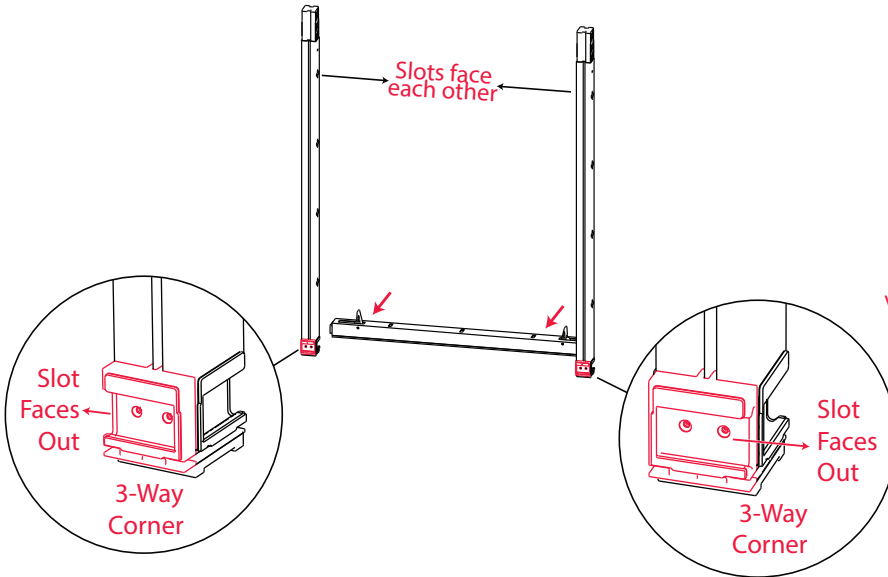
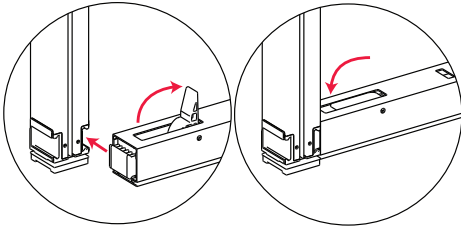
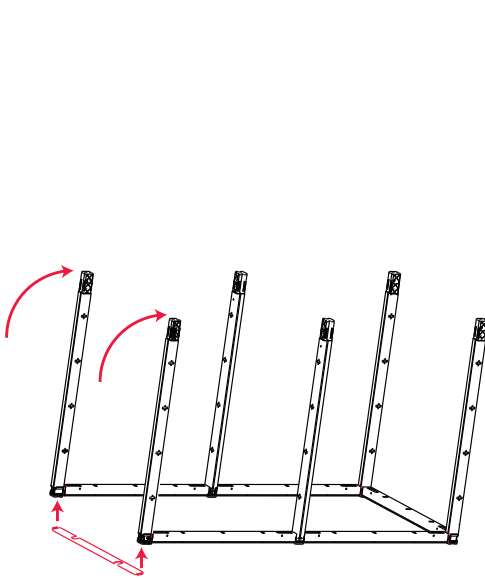


Room Assembly

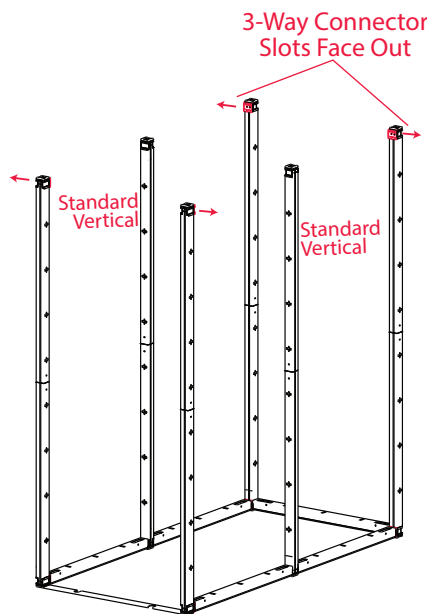


1. Locate two bottom vertical bars with 3-way corners. Attach a horizontal to the bottom between the verticals. Note the direction of the 3-way connectors noted above.

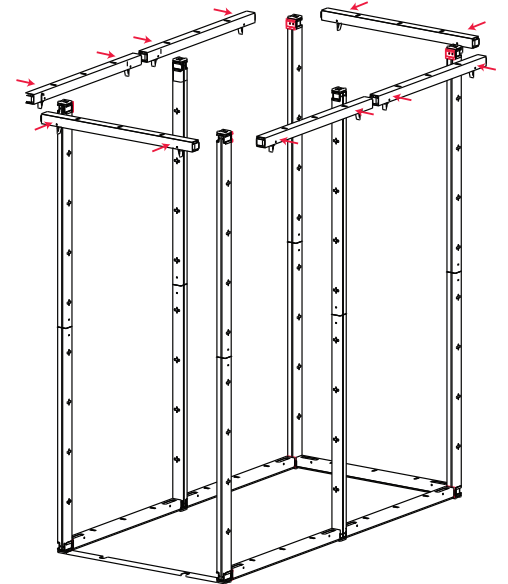
2. Continue building the room frame as seen above by attaching horizontal bars and verticals. The levers should be on top of the horizontal bars. Note the standard and 3-way vertical placements and orientations.



3. Tilt the assembly back and attach the threshold to the bottom of the doorway opening.



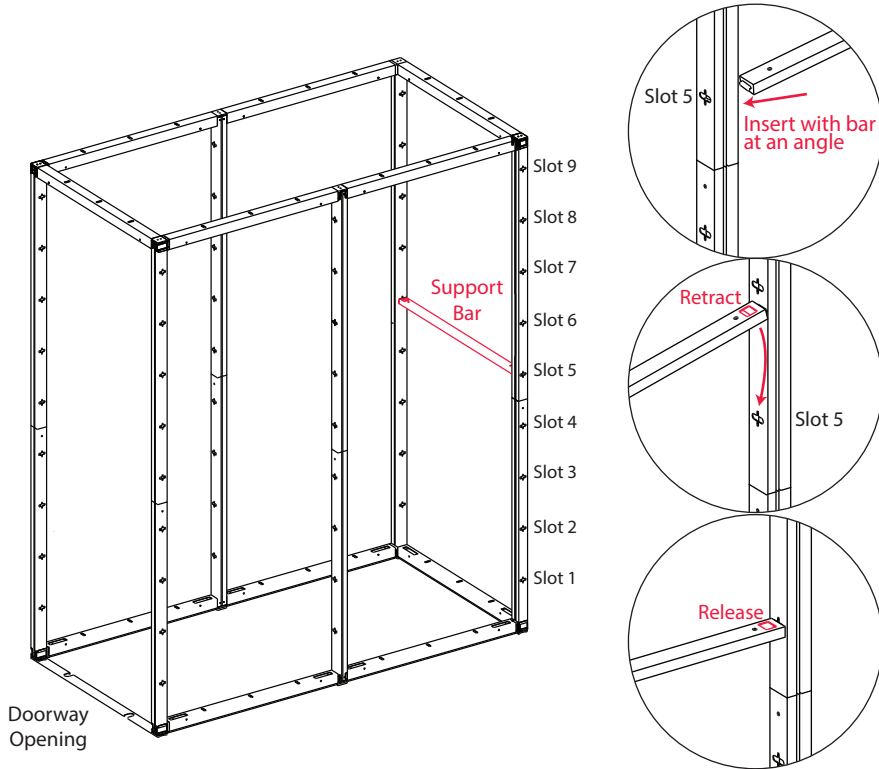
4. Add four upper 3-way verticals as seen above noting the 3-way slot directions. Add standard upper verticals to the two center columns.



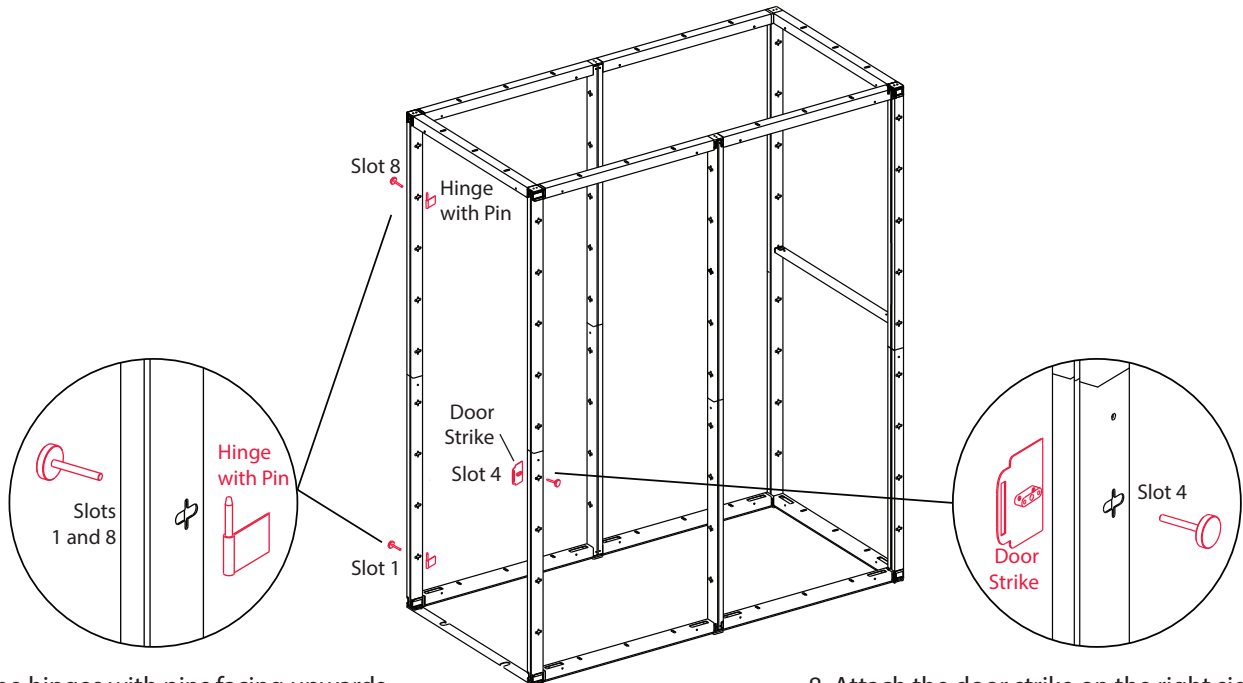
5. Complete the upper half of the storage room by attaching 6 horizontal bars. The levers should be on the bottom of the horizontal bars.

1x2 Storage Room Assembly Instructions

Room Assembly Continued



6. Attach a spring-loaded support bar to the wall opposite the doorway in slot 5.

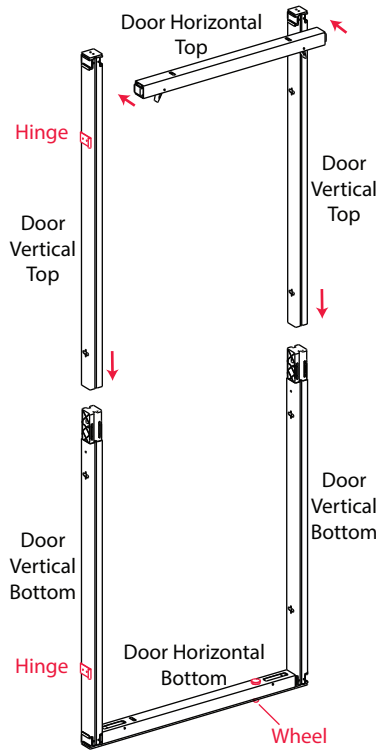


7. Attach the hinges with pins facing upwards on the left side of the doorway in slots 1 and 8 using low-profile screws.

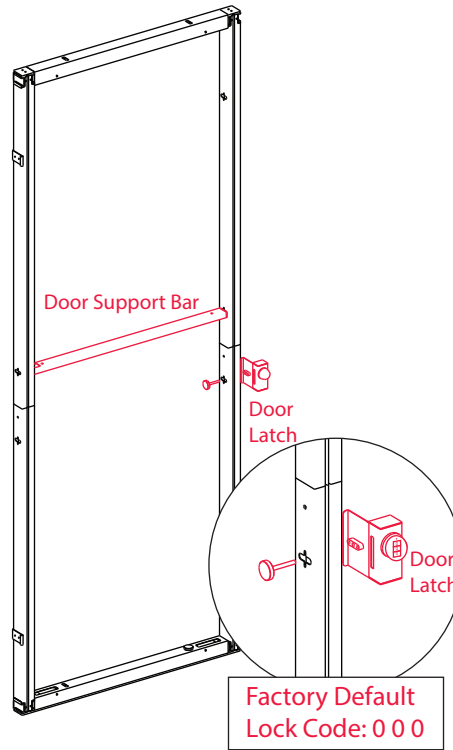
8. Attach the door strike on the right side of the doorway in slot 4 using a low-profile screw.

1x2 Storage Room Assembly Instructions

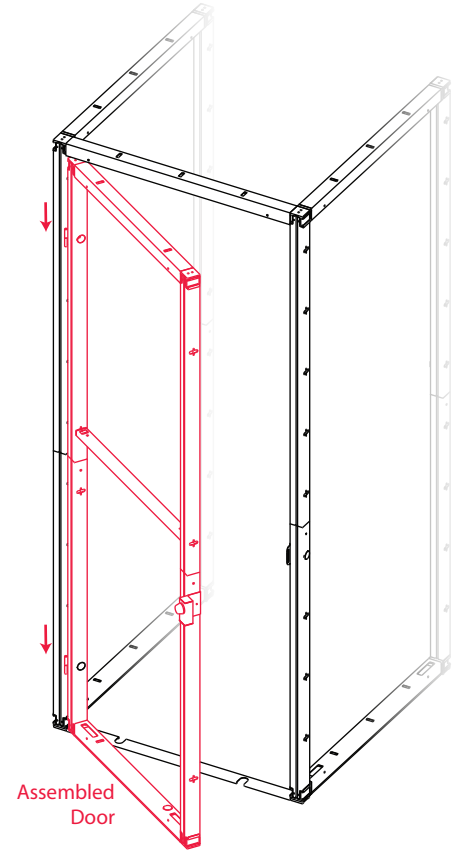
Door Assembly



9. Assemble the door perimeter as seen above making sure that the wheel is oriented away from the side with hinges.



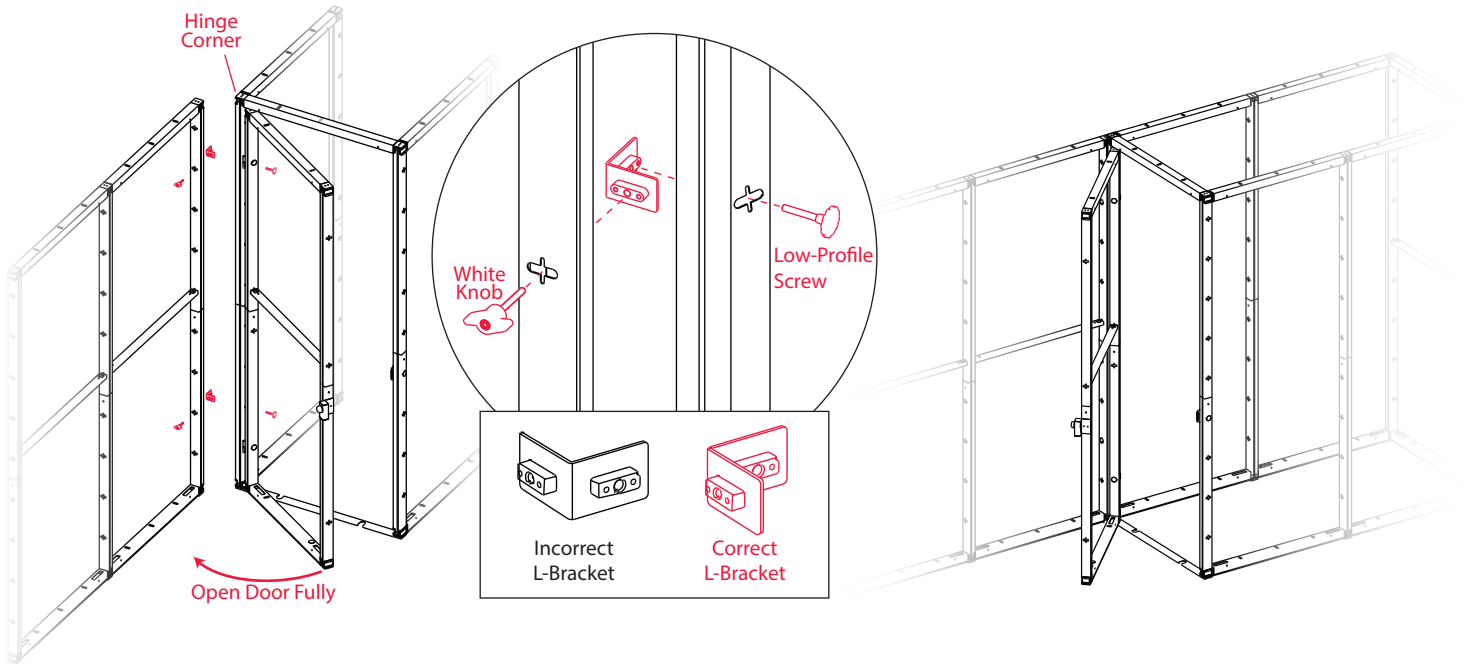
10. Attach the door support bar in the slot above the seam in the vertical bars.
11. Attach the door catch in the slot below.



12. Hang the door on the hinges. It is easiest to slide door on hinges when you position door vertical parallel to the storage vertical.

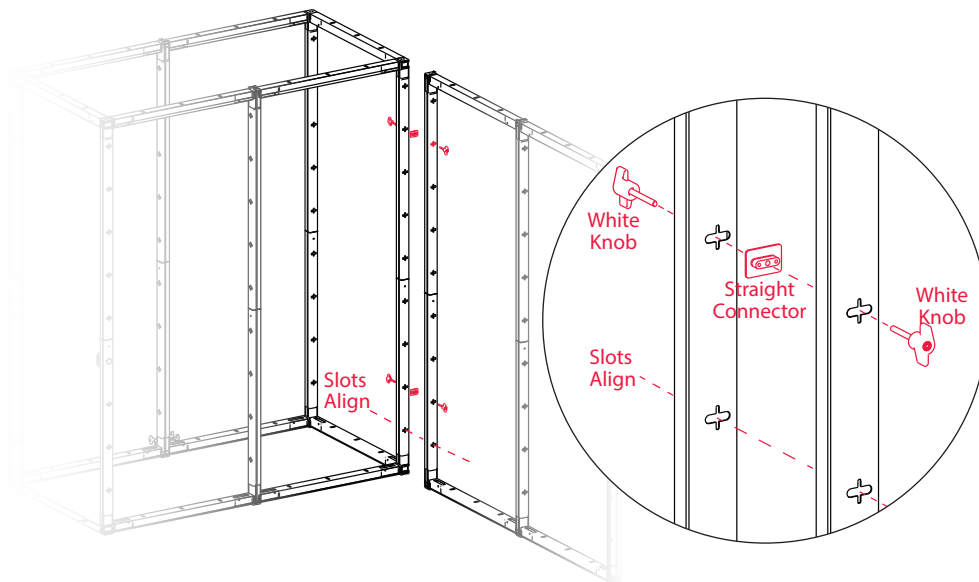
1x2 Storage Room Assembly Instructions

Connecting Walls to the Room by the Door Hinges



To build a wall connected to the room on the door hinge corner, use two special L-Brackets with opposite connection orientation. Attach each connector to the storage room using a low profile screw and connect to the wall using a white knob as shown to show above.

Connecting Walls to the Room When Slots Align

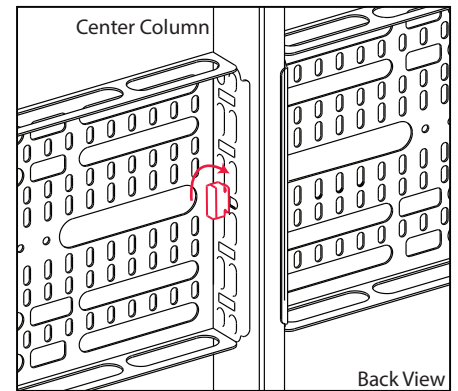
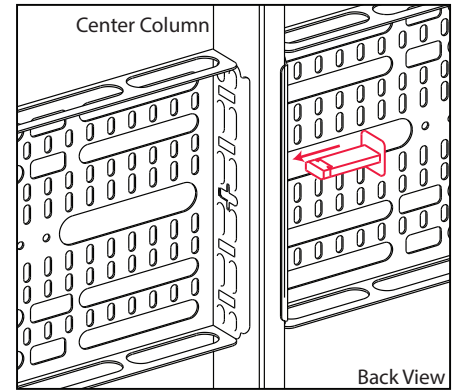
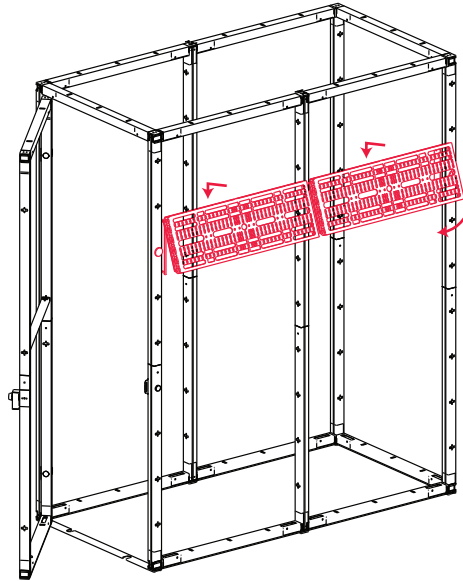
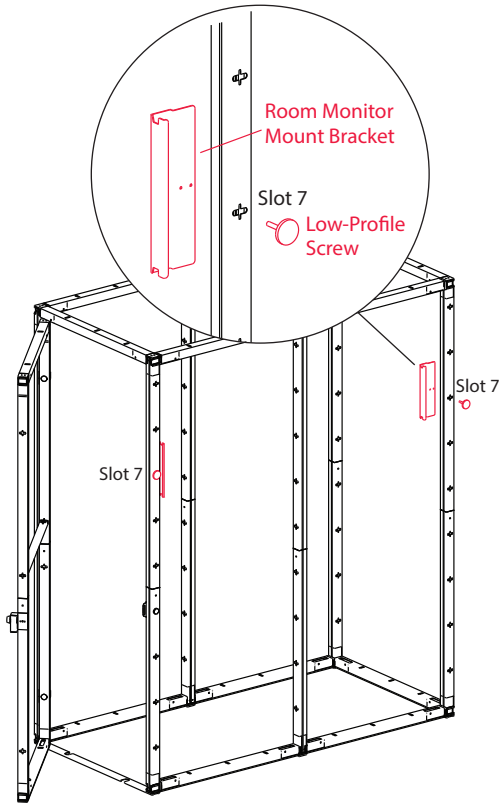


To build a wall connected to the room when the slots align, use two straight connectors. The straight connectors are placed between the frames and are secured with two white knobs each.

Note: Holes will need to be cut into the fabric graphics to allow the hardware to pass through.

1x2 Storage Room Assembly Instructions

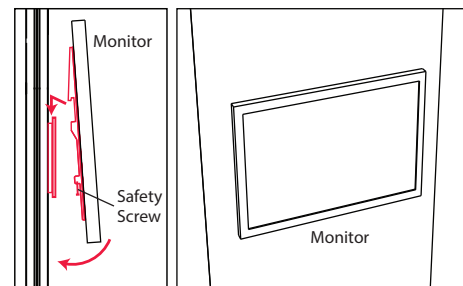
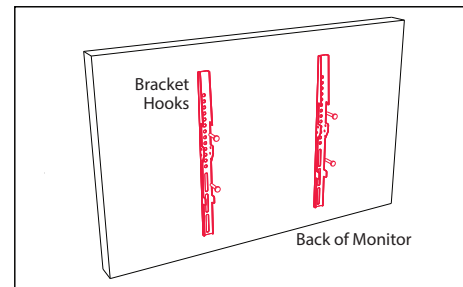
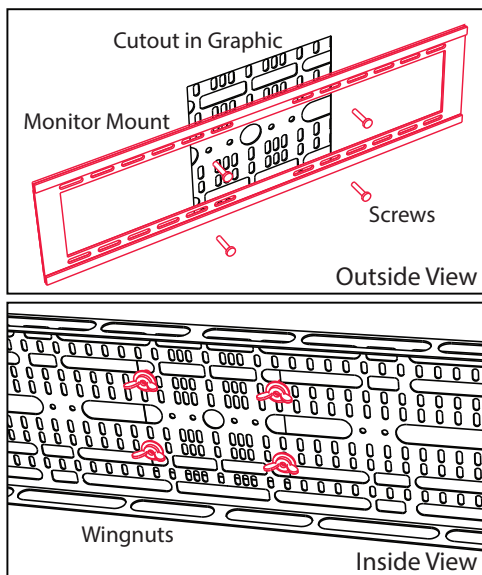
Optional Monitor Bracket on Front of Closet



1. On the outer two columns, attach two room monitor mount brackets with low-profile screws in slot 7.

2. Hang two monitor bracket plates onto the brackets.

3. Insert a straight connector through the two monitor brackets and the column between. Twist the ends of the connector ninety degrees to secure.



4. Install the fabric graphic with monitor mount cutout aligned over the monitor mount plate. See graphic installation instructions for details.
5. Attach the monitor mount onto the plate with screws. Secure with wingnuts on the back of the plate

6. Attach the monitor mount hook bars onto the back of the monitor.
7. Hang the monitor hooks onto the monitor mount. This may require two people. Secure the safety screws on the hook bars.